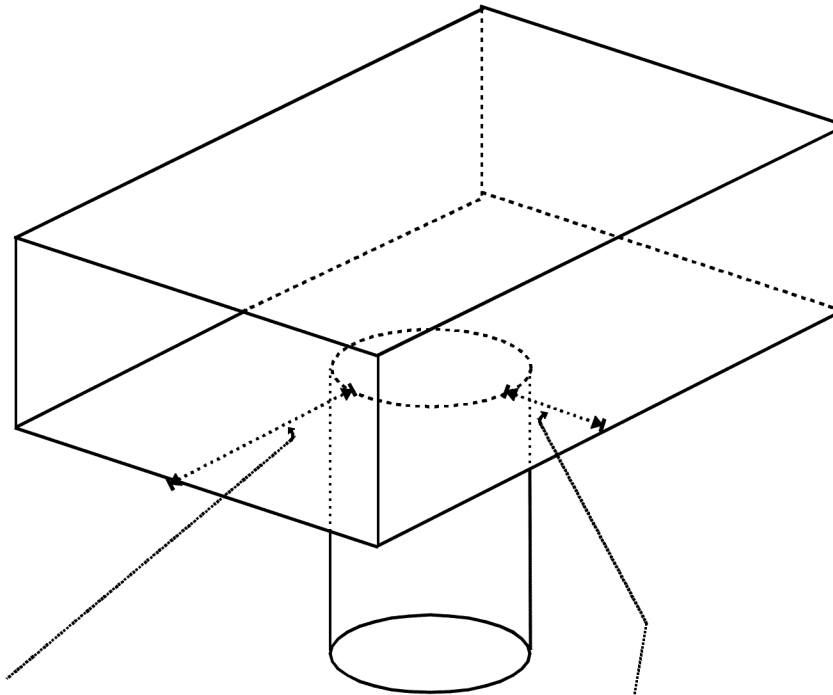


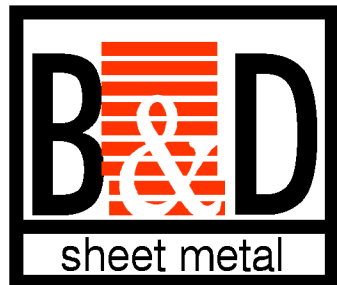
SPOUT LENGTH: _____
SPOUT DIAM. : _____

HEMMED: Y N



OFFSET _____

OFFSET _____



QUALITY SHEET METAL ON TIME

PHONE: 206 533-0350
FAX: 206 533-0129

BOX SCUPPER

COMPANY: _____

PH#: _____

JOB: _____

QUANTITY: _____