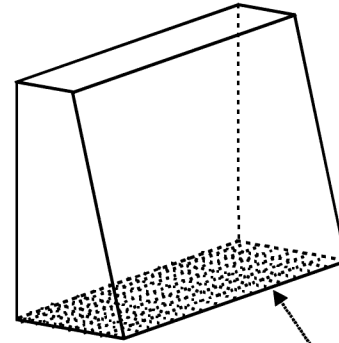


DRIP EDGE (CIRCLE):
 TOP BOTTOM



HOOD
 MAT: _____
 COL: _____

SCREENED: Y N

DIMENSIONS

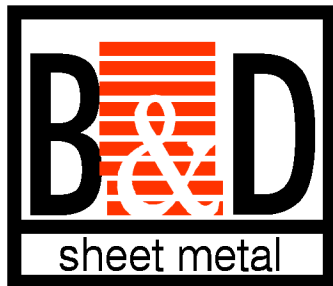
A: _____

B: _____

C: _____

VENT SIZE: 4" 6"

PIPE LENGTH: _____



QUALITY SHEET METAL ON TIME

PHONE: 208 533-0350
 FAX: 208 533-0129

WALL VENT & COVER

COMPANY: _____

PH#: _____

JOB: _____

QUANTITY: _____